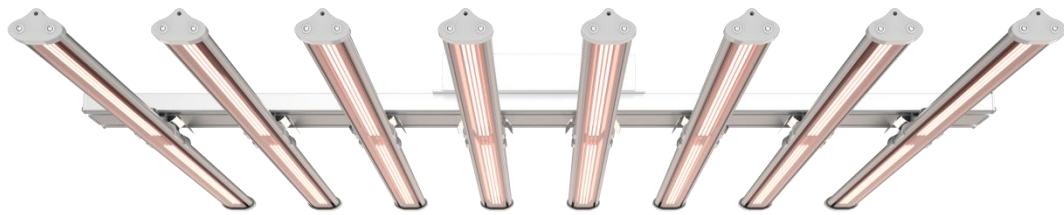


ILLUMINATION
LED LIGHTING



HORTI-SPEC

TOP LIGHTING

TECHNICAL DATASHEET

2018

Product features

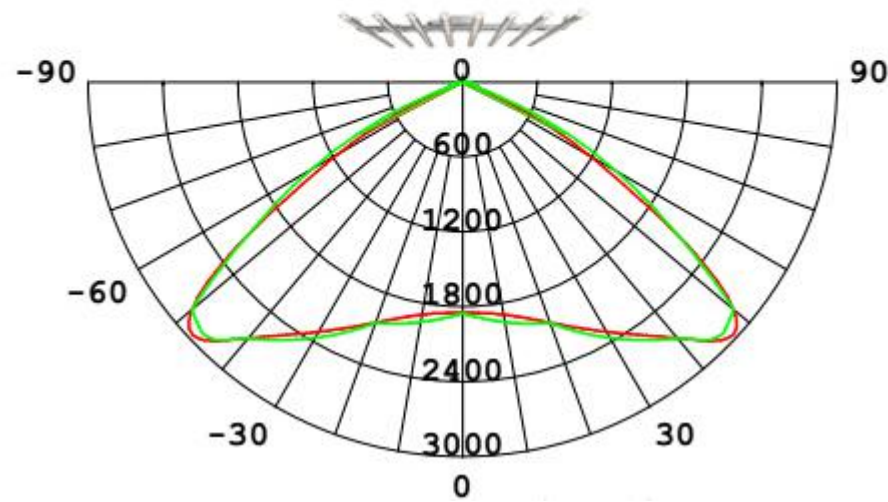
Housing material	Aluminum
Finishing	Anodic oxidation
Optics materials	PC cover (transmission >90%)
Protection degree LED compartment	IP65 (dust and watertight)
	Lamps can be cleaned by using pressurized water, the complete electrical circuit is sealed waterproof.
Lighting impact resistance	IK07

Technical data

Power*	600 Watt (± 5%)
PF	> 0.98
Voltage range	100-240VAC/100-277 VAC
Current range	6.0A - 2.16A
Frequency range	50/60 Hz
Inrush current	< max. 25A (t< 1 msec)
Isolation class	Class I
Operation conditions	0°C to 40°C / 32°F to 104°F (95% RH)
Storage conditions	-40°C to 70°C / -40°F to 158°F (85% RH)

Optical properties

Photon flux (μMol/s)	1380μMol/s
Efficacy (μMol/J)	2.3μMol/J
Warranty	5 years
Customized lens	The customized lens 120° etc are available



Weight and dimensions

Single tube*8pcs	Components (power + bracket)
0.8kg/1.76lbs * 8pcs	6kg/13.23lbs

Net weight

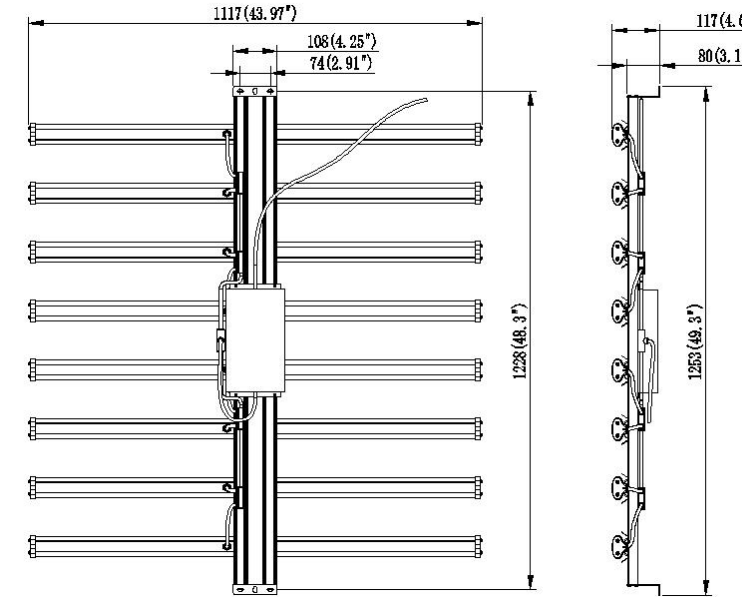
Product dimensions

1253x1117x117 mm/49.3"x43.97"x4.6"

Mounting

Hanging installation, ceiling mounted

Drawings



Logistic specifications

Item	Light	Bracket	
Quantity per carton	1pc	2pcs	1pc innor carton
Gross weight (approx.)	8.25KG/18.18lbs	15.65KG/34.5lbs	7.03KG/15.5lbs
Carton dimensions	1160*309*140 mm 45.6" *12.2" * 5.5"	1320*235*365mm 52"*9.25"*14.4"	1310*220*170mm 51.6"*8.7"*6.7"

Compliance

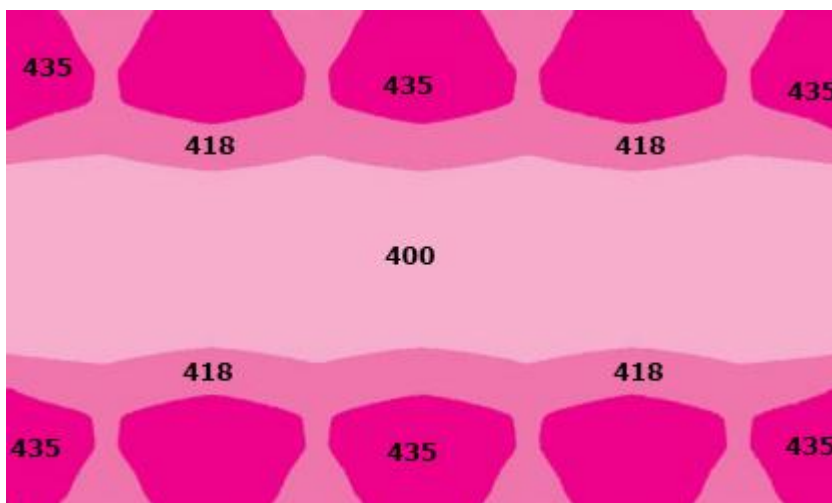
- CE certification
- Low Voltage Directive (LVD)
- Electromagnetic Compatibility Directive (EMC)
- Restriction of Hazardous Substances (RoHS) Directive

* typical values for stable operation at 25°C/77 °F ambient temperature

PPFD map: Horti-Spec

Greenhouse

Measurements: 1.5m x 1.5 m / 5' x 5'
Height fixture above canopy: 1.0 m / 40"
1 fixture needed for: 2.25 m² / 25 sqft
Spectrum: the Horti-spec can be supplied with a wide range of color spectra, the optimal one is determined by the specific crops you want to Cultivate.



Average: 418 $\mu\text{Mol}/\text{m}^2/\text{s}$
Maximum: 435 $\mu\text{Mol}/\text{m}^2/\text{s}$
Minimum: 400 $\mu\text{Mol}/\text{m}^2/\text{s}$
Uniformity: 92%

CONTACT US

5307 – 4th St S.E.

Calgary, AB. T2H 1K6

Office: 403-452-0577

Fax: 403-258-2003

Email: info@illumination-led.com

STORE HOURS

Monday – Friday

8:00am – 5:00pm