

**ILLUMINATION**  
**LED LIGHTING**



# **HORTI-FAR** **TOP LIGHTING**

TECHNICAL DATASHEET

### Product features

Housing material	Aluminum
Finishing	Powder coating
Optics materials	Glass (transmission >90%)
Protection degree LED compartment	IP65 (dust and watertight)
	Lamps can be cleaned by using pressurized water, the complete electrical circuit is sealed waterproof.
Lighting impact resistance	IK08

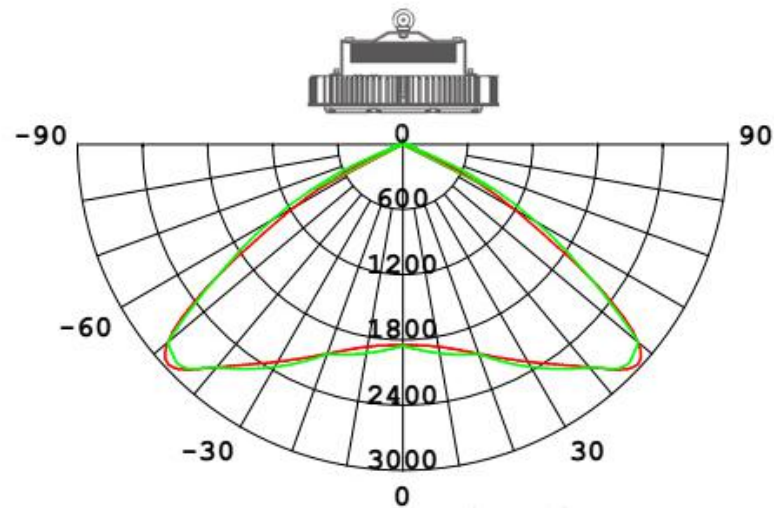
### Technical data

Power*	600 Watt (± 5%)
PF	> 0.95
Voltage range	100-240 VAC/100-277 VAC
Current range	6.0A - 2.16A
Frequency range	50/60 Hz
Inrush current	< max. 25A (t< 1 msec)
Isolation class	Class I
Operation conditions	0°C to 40°C / 32°F to 104°F (95% RH)
Storage conditions	-40°C to 70°C / -40°F to 158°F (85% RH)

### Optical properties

Photon flux (μMol/s)	1260μMol/s
Efficacy (μMol/J)	1.8μMol/J (higher up to 2.5μMol/J can reach based on request)
Warranty	5 years

Customized lens The customized lens 60° 90° 120° etc are available



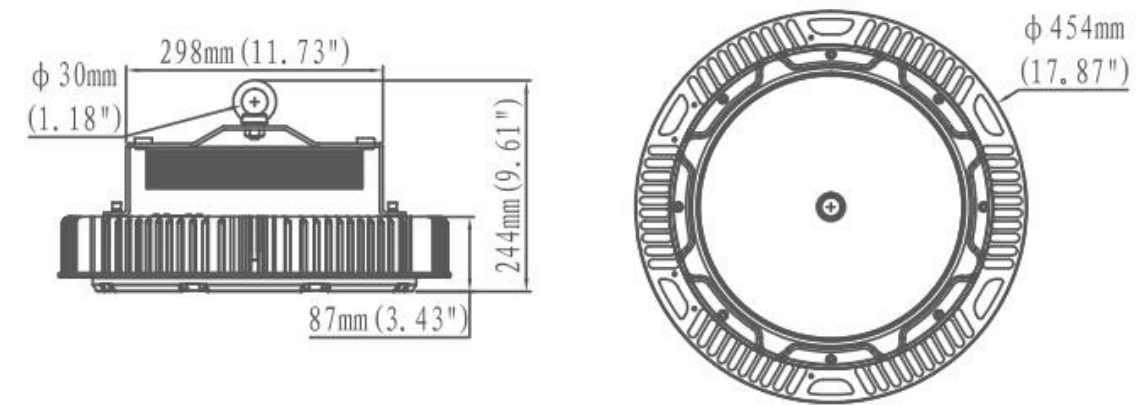
### Weight and dimensions

Net weight	11.2 kg/24.8lbs
Product dimensions	Φ454x244mm/Φ17.8"x9.61"

### Mounting

Hanging installation

### Drawings



### Logistic specifications

Quantity per carton	1 pc
Gross weight (approx.)	15 kg/33.3lbs (including hanging ropes, plugs)
Carton dimensions	524mm x 305mm x 528mm/20.6" x 12" x 20.7"

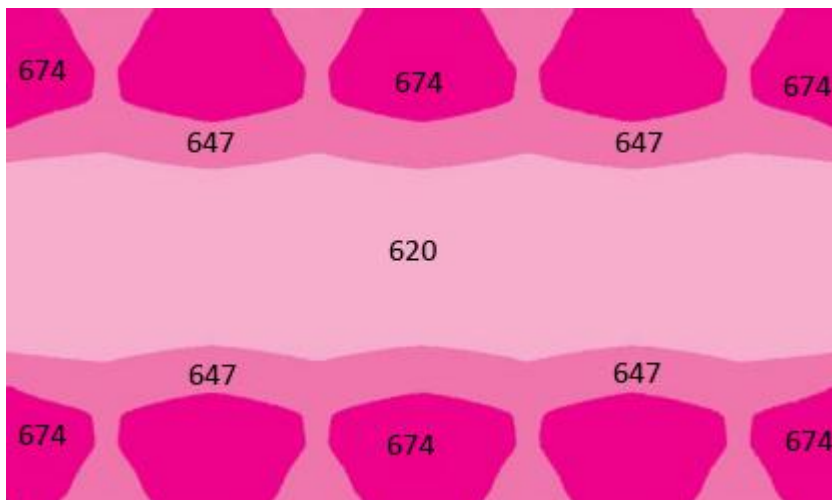
### Compliance

- CE, UL, ETL, TUV certification
- Low Voltage Directive (LVD)
- Electromagnetic Compatibility Directive (EMC)
- Restriction of Hazardous Substances (RoHS) Directive

## PPFD map: Horti-Far

### Greenhouse

Measurements: 1.5mx 1.5 m / 5' x 5'  
Height fixture above canopy: 1.0 m / 40"  
1 fixture needed for: 2.25 m<sup>2</sup> / 25 sqft  
Spectrum: the Horti-far can be supplied with a wide range of colour spectra, the optimal one is determined by the specific crops you want to Cultivate.



Average: 647  $\mu\text{Mol}/\text{m}^2/\text{s}$   
Maximum: 674  $\mu\text{Mol}/\text{m}^2/\text{s}$   
Minimum: 620  $\mu\text{Mol}/\text{m}^2/\text{s}$   
Uniformity: 92%

## CONTACT US

5307 – 4th St S.E.

Calgary, AB. T2H 1K6

Office: 403-452-0577

Fax: 403-258-2003

Email: [info@illumination-led.com](mailto:info@illumination-led.com)

## STORE HOURS

Monday – Friday

8:00am – 5:00pm