

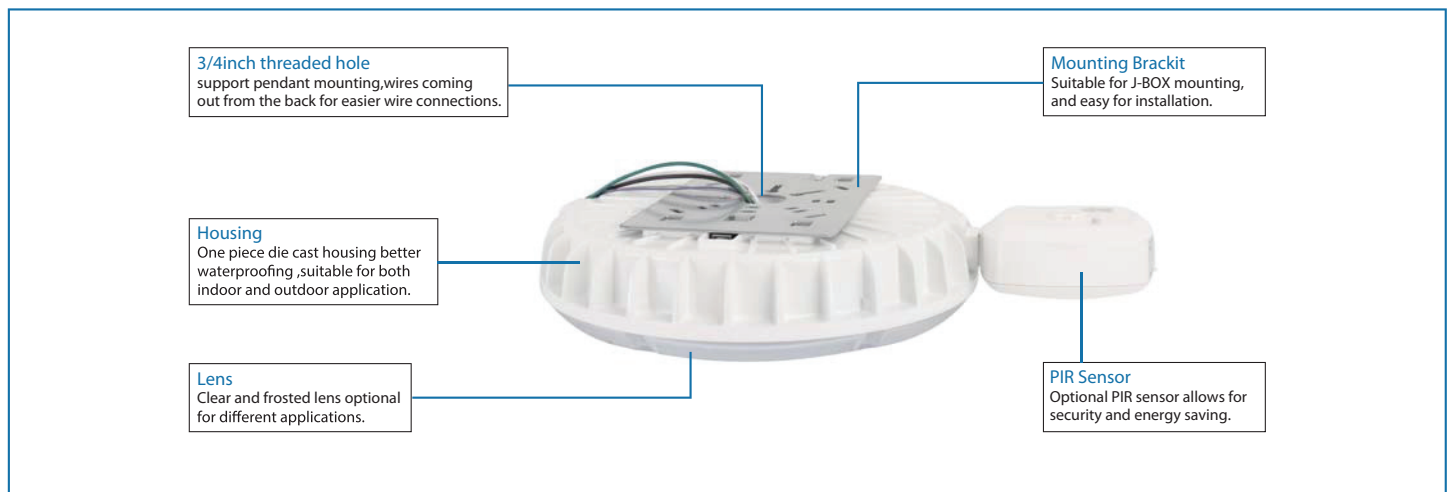


Applications:

Parking structures, storage areas, shopping area walkways, entryway, and low level security.

Features

- Sealed die-casting profile for indoor and outdoor applications.
- Voltage is 120-277V & 347V.
- Lumen output from 3400-6150lm with efficacy up to 118lm/W.
- Optional clear lens or frosted lens as per applications.
- Increase energy savings with bi-level PIR sensor.
- Replacing 100W MH and 175W MH.
- Operating temperature is -40°C to 40°C (-40°F to 104°F).
- Suitable for wet locations.
- UL/cUL wet location listed and DLC qualified.



PERFORMANCE DATA

SYSTEM WATTS	LENS	VOLTAGE	4000K(70CRI)		5000K(70CRI)	
			LUMENS	LPW	LUMENS	LPW
30W	Clear Lens	120-277VAC	3500lm	117 lm/W	3550lm	118 lm/W
	Frosted Lens	120-277VAC	3400lm	113 lm/W	3500lm	117 lm/W
45W	Clear Lens	120-277VAC	4800lm	107 lm/W	4850lm	108 lm/W
	Frosted Lens	120-277VAC	4700lm	104 lm/W	4700lm	104 lm/W
50W	Clear Lens	347VAC	4800lm	96 lm/W	4850lm	97 lm/W
	Frosted Lens	347VAC	4700lm	94 lm/W	4700lm	94 lm/W
60W	Clear Lens	120-277VAC	6100lm	102 lm/W	6150lm	103 lm/W
	Frosted Lens	120-277VAC	6000lm	100 lm/W	6100lm	102 lm/W
60W	Clear Lens	347VAC	6100lm	102 lm/W	6150lm	103 lm/W
	Frosted Lens	347VAC	6000lm	100 lm/W	6100lm	102 lm/W

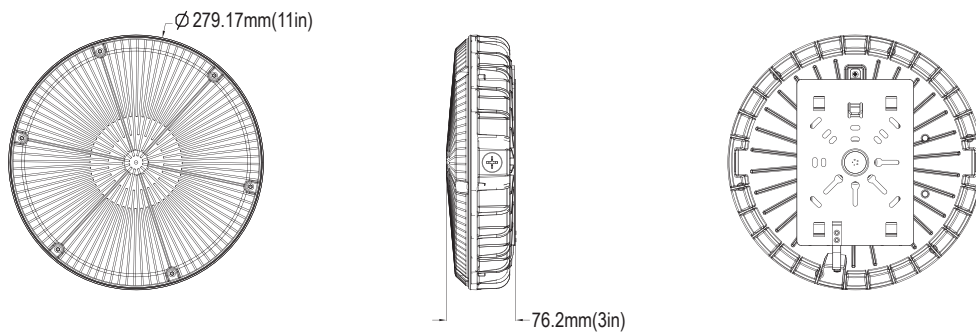
ELECTRICAL DATA

Number Of Drivers	Driver Current (Amps)	Nominal Power (W)	INPUT VOLTAGE (V)	CURRENT (Amps)
1	0.78	30	120	0.25
		30	208	0.14
		30	240	0.13
		30	277	0.11
1	1.12	45	120	0.38
		45	208	0.22
		45	240	0.19
		45	277	0.16
		50	347	0.14
1	1.48	60	120	0.50
		60	208	0.29
		60	240	0.25
		60	277	0.22
		60	347	0.17

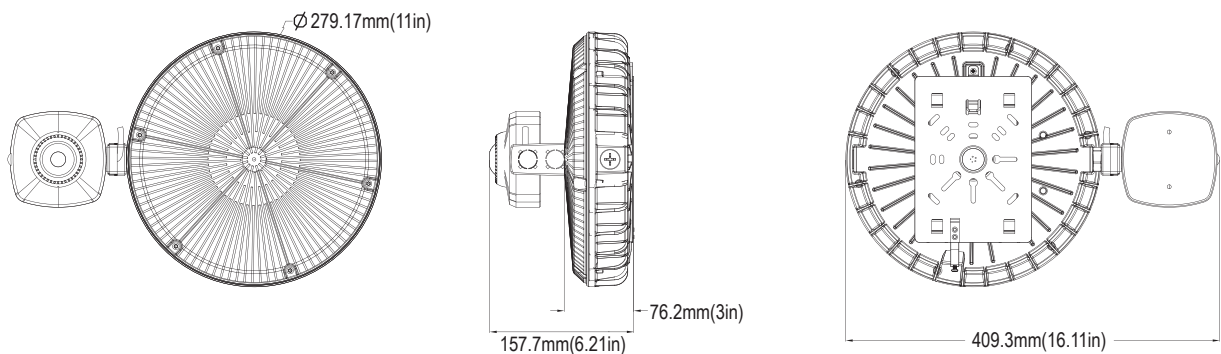
DIMENSION

unit: inch/mm

Weight:
30W: 5.225lbs
45W: 5.335lbs
60W: 5.533lbs



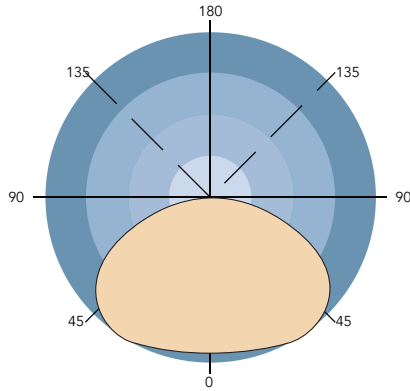
Weight:
30W: 5.599lbs
45W: 5.709lbs
60W: 5.907lbs



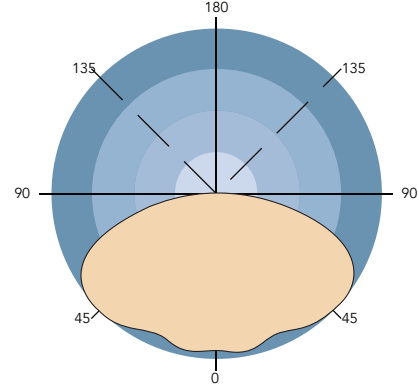
CHOOSE YOUR OPTICAL DISTRIBUTION

Each optic is designed for a specific purpose. The general distribution allows a wash of light in any application. In addition, we design an optics specially for parking garage.

General



Parking Garage



ORDERING GUIDE Example: MCP0230W27V40KDMDC

Fixture Type	Power Consumption	Input Voltage	CCT	Finish	Sensor (Option)	Dimmable	Lens
<input type="text"/>	<input type="text"/>	<input type="text"/>	<input type="text"/>	<input type="text"/>	<input type="text"/>	<input type="text"/>	<input type="text"/>
MCP02 MCP Series	30W 30Watts 45W 45Watts 50W 50Watts 60W 60Watts	27V 120-277V 34V 347V	40K 4000K 50K 5000K	D Dark Bronze B Black W White	Blank Without Sensor M With Sensor	D 0-10 Dimmable Blank NON Dimmable	C Clear lens F Frosted lens

Note: The Watt is 45W when the voltage is 120-277V, while when it is 347V, the watt is 50W.

DLC Model NO.

SYSTEM WATTS	VOLTAGE	CCT	Dimmable	DLC NO.	DLC Classification
30W	120-277V	4000K	NO	MCP0230W27V40K[D,B,W][Blank,M]C	Standard
		5000K	NO	MCP0230W27V50K[D,B,W][Blank,M]C	Standard
		4000K	YES	MCP0230W27V40K[D,B,W][Blank,M]DC	Standard
		5000K	YES	MCP0230W27V50K[D,B,W][Blank,M]DC	Standard
45W	120-277V	4000K	NO	MCP0245W27V40K[D,B,W][Blank,M]C	Standard
		5000K	NO	MCP0245W27V50K[D,B,W][Blank,M]C	Standard
		4000K	YES	MCP0245W27V40K[D,B,W][Blank,M]DC	Standard
		5000K	YES	MCP0245W27V50K[D,B,W][Blank,M]DC	Standard
60W	120-277V	4000K	NO	MCP0260W27V40K[D,B,W][Blank,M1,M2]C	Standard
		5000K	NO	MCP0260W27V50K[D,B,W][Blank,M1,M2]C	Standard
		4000K	YES	MCP0260W27V40K[D,B,W][Blank,M1,M2]DC	Standard
		5000K	YES	MCP0260W27V50K[D,B,W][Blank,M1,M2]DC	Standard