



Description

AGC's HiPro LED high bay is excellent in energy-efficiency with smaller size and lighter weight, which can be more helpful for stock and save more shipping cost.

Key Features

- Equiv. to 400W Metal Halide lamps
- IP65 & IK08 double protection
- Superior temperature stability
- Multiple installation ways available
- Multiple light distributions for different project needs
- Compatible with different intelligent control modes

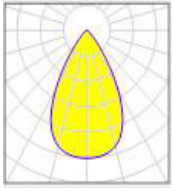
Applications

- Warehouse
- Industrial Facility
- Exhibition Center
- Shopping Mall
- Gymnasium
- Toll Station and so on.

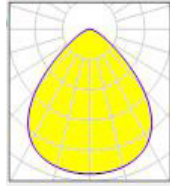
Specifications

Model No.	HB12-100/T	HB12-120/T	HB12-150/T	HB12-200/T
Power Consumption	100W	120W	150W	200W
LED Type	OSRAM			
Luminous Flux	13000(±5%)lm	15600(±5%)lm	19500(±5%)lm	26000(±5%)lm
Efficacy	130 LM/W			
Correlated Color Temperature	5000K (3000K, 4000K optional)			
Color Rendering Index	Ra70 (Ra80 optional)			
Beam Angle	H00A02,H00B03 ,H00B04, H25201, H25202, H25203			
Power Supply	Sosen			
Input Voltage	100-277 VAC / 277-480 VAC			
Power Factor	≥0.9			
Frequency	50 / 60 Hz			
Surge Protection	4kV line-line, 6kV line-earth			
Driver Type	Constant Current (CC)			
Product Dimension	φ292×178mm (φ11.5" x 7.01")		φ292×197mm (φ11.5"×7.76")	
Luminaire Net Weight	4.3±0.3kg (9.48±0.66Lbs)		5.2±0.3kg (11.46±0.66Lbs)	
Export Carton Size	332x332x210mm (13.07"×13.07"×8.27")		332x332x230mm (13.07"×13.07"×9.06")	
Gross Weight	5.2±0.3kg (11.6±0.66Lbs)		6.1±0.3kg (13.45±0.66Lbs)	
Material	Housing Aluminum Alloy			
	Optics Tempered Glass or Polycarbonate Optical Lens			
Finish	Powder Coating			
Fixture Color	Black, White			
IP Rating	IP65			
Mounting Option	Loop Hanging / Hook Mounting Ceiling Mounting / Bracket Mounting			
Operating Temperature	-22°F to 122°F		(-30°C to + 50°C)	
Life Time	>50000Hrs(Ta=30°C@L70)			
Warranty	5 Years			
Dimmable	Dimmable and Non-dimmable Motion Sensor			
Intelligent Control	PC Cover - 120° Clear / Milky PC Cover PC Optics Lens - 50°, 90° and 120° PC Lens Reflector - PC / Aluminium Reflector Bracket - Adjustable / Non-adjustable Bracket Bracket - Pipe Mounting Bracket for ½" or ¾" NPT Safety Chain - 250mm chain, M8 + M8 Hook			
Accessory				

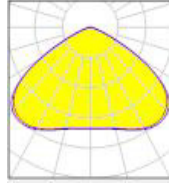
Photometry



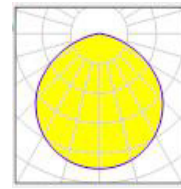
50° PC Lens
(H25203)



90° PC
(H25202)



120° PC Lens
(H25201)



120° Tempered Glass / Clear PC / Milky PC
(H00A02 / H00B03 / H00B04)

Mounting Options

Loop Hanging



Hook Mounting



Ceiling

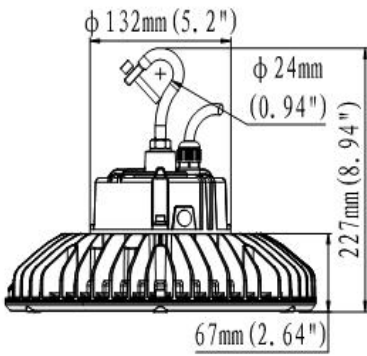


Bracket Mounting

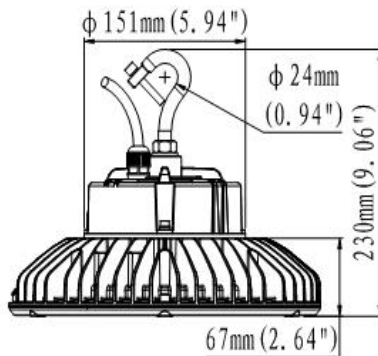


Dimensions

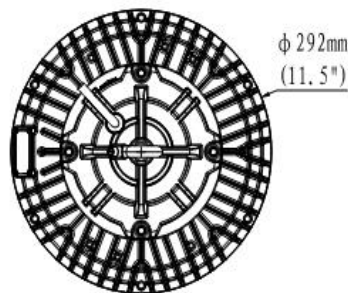
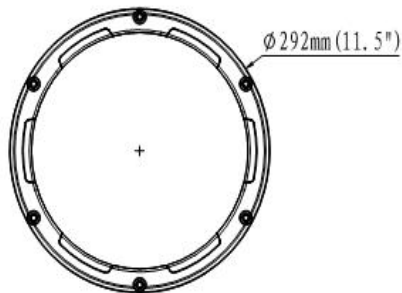
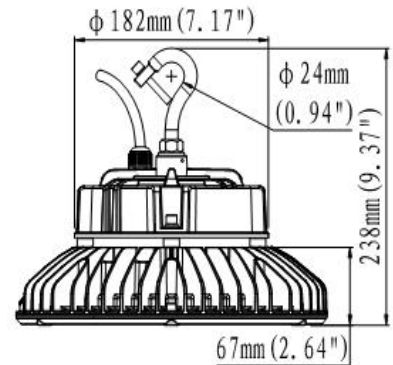
100w/120W



150W



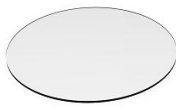
200W



Accessories



PC Lens



Tempered Glass



PC Reflector



Aluminum Reflector



± 45 Deg Bracket



180 Deg Bracket



Safety Chain