



### Description

Food-processing application allows no glass, and HiClean Plus adopts PC lens instead for safety. And PC lens could be fully made use of light and HiClean Plus is up to 160lm/W. It is marvelous to reach energy saving and food safety at the same time. It's a perfect design that HiClean Plus comes without any exposed screws, which meets safety requirement of food-processing application.

### Key Features

- Ultra-high safety performance without glass or exposed screws, made of high-transmittance PC and PMMA instead of glass, avoid glass fragments or screws falling into food .
- Glossy/smooth appearance with seamless design ,very easy to clean .
- NSF certified, a passport for luminaire using in food processing area.
- IP66 & IK10 ,corrosion resistance .
- Lumen efficiency up to 160lm/w ,energy saving up to 90%.
- 100-277V&277-480V optional.
- Multiple light distributions for different project needs
- 7 types of beam angle , meet different demand of various projects

### Applications

- Food Processing Plants
- Warehouses
- Factories
- Pharmaceutical Manufacturing Facilities
- Chemical Facilities
- Beverage Processing
- Poultry and Meat Processing
- Pet-food Production
- Grain and Sugar Production



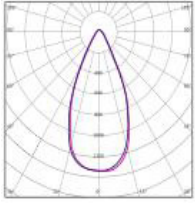
reddot award 2018

Version: 2.0

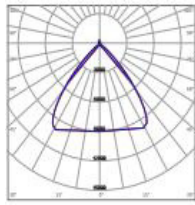
### Specifications

Model No.	HB06-100	HB06-120	HB06-150	HB06-200
<b>Power Consumption</b>	100W	120W	150W	200W
<b>LED Type</b>	Nichia LED			
<b>Luminous Flux</b>	14000(±5%)LM			
<b>Efficacy</b>	140 LM/W			
<b>Correlated Color Temperature</b>	5000K (3000K, 4000K optional)			
<b>Color Rendering Index</b>	Ra70 (Ra80 optional)			
<b>Beam Angle</b>	H00A02, H00B03, H00B04, H25201, H25202, H25203			
<b>Power Supply</b>	Meanwell			
<b>Input Voltage</b>	100-277 VAC /277-480 VAC			
<b>Power Factor</b>	≥0.93			
<b>Frequency</b>	50 / 60 Hz			
<b>Surge Protection</b>	2kV line-line, 4kV line-earth			
<b>Driver Type</b>	Constant Current (CC)			
<b>Product Dimension</b>	19.25"×7.87"		φ489×200mm	
<b>Luminaire Net Weight</b>	15.87±0.66Lbs		7.2±0.3kg	
<b>Export Carton Size</b>	22.05"×10.24×22.24"		560×260×565mm	
<b>Gross Weight</b>	20.1±0.66Lbs		9.1±0.3kg	
<b>Material</b>	<b>Housing</b>	Aluminum Alloy		
	<b>Optics</b>	Tempered Glass or Polycarbonate Optical Lens		
<b>Finish</b>	Safe polyester Powder Coating			
<b>Fixture Color</b>	Silver or white			
<b>IP Rating</b>	IP66			
<b>Mounting Option</b>	Loop Hanging / Ceiling Mounting			
	Pipe mounting			
<b>Operating Temperature</b>	-22°F to 122°F		(-30°C to + 50°C)	
<b>Life Time</b>	>50,000Hrs (Ta=30°C@L70)			
<b>Warranty</b>	5 Years			
<b>Dimmable</b>	1-10V Dimmable and Non-dimmable			
<b>Intelligent Control</b>	Dali			
	<b>PC Cover</b> - 120° Clear Cover/ Milky PC Cover <b>PC Optics Lens</b> - 50°, 90° and 120° PC Lens <b>Reflector</b> - PC / Aluminium Reflector <b>Bracket</b> - Ceiling mount bracket <b>Bracket</b> - Pipe Mounting Bracket for ½" or ¾" NPT <b>Safety Chain</b> - (250mm chain, M10+M10 hook=340mm)			
<b>Accessory</b>				

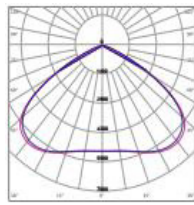
## Photometry



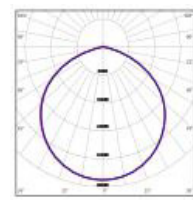
50° PC Lens  
(H25203)



90° PC  
(H25202)



120° PC Lens  
(H25201)



120° Tempered Glass / Clear PC / Milky PC  
(H00A02 / H00B03 / H00B04)

## Mounting Options

Loop Hanging



Ceiling Mounting



Pipe Mount

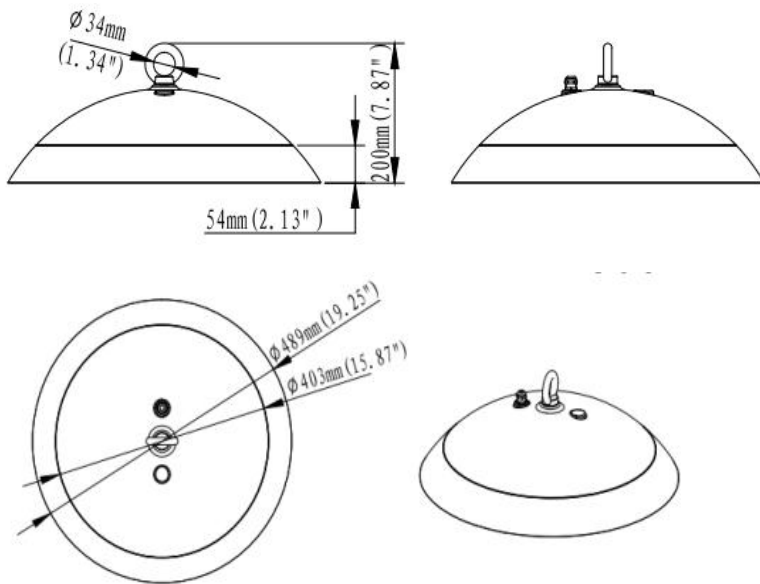


Hook Mounting



## Dimensions

100W-200W



## Accessories



PC Lens



Tempered Glass



PC Reflector



Aluminum Reflector



Ceiling Mount bracket



Safety Chain



Pipe Mount